

ASSEMBLY INSTRUCTIONS
RTS 8A25 DHL SIGN TWIN PACK
WIDTH 7" HEIGHT 3½ (Each)

CONGRATULATIONS

Congratulations in choosing a unique product to enhance your slot car track diorama. This can truly be described as a product born from a love for slot cars. Buying this product have made you a member of a very special family, yes you are not dealing with a faceless business, but rather a family of slot car fanatics.

We have put hours of skill and more importantly love into this product and it is wonderful to share our love for slot cars with you. May you enjoy the build and have years of joy having it as part of your trackside diorama.

This product is an imaginary sign, but showcases one of the largest present-day sponsors of motor racing and specifically F1.

WARRANTY

This product is covered by a comprehensive money-back warranty to ensure your absolute satisfaction with your purchase.

WHO ARE WE?

This product is brought to you by racetrackscenics.com. If you have not done so already, please visit our website today. You are also most welcome to visit the Facebook pages "**Race Track Scenics Slot Car Scenery**" and "**Johan Malan**" to keep up to date with the latest developments and the launching of exciting new products that may be in the pipeline.

You can contact Kevin Sharpe on
Email: racetrackscenics@gmail.com
Text in the USA 586 549 2879
WhatsApp 1-586-549-2879

for any assistance that you might require. Your feedback and a photo or two of your trackside addition will really be appreciated. We love to share in your joy!

WHAT IS IN THE KIT?

In this kit you will find all the laser cut pieced needed to assemble this product. The pieces are still intact in the sheets as they were cut to ensure that all the parts are there. Some of the loose bits inside pieces may have been removed, but they are not part of the finished product. In the section "FAMILIARIZE YOURSELF" below, you will find diagram(s) that identify and explain each piece (component) that you are about to assemble. In the section "PREPARING THE CUT PIECES" below, you will learn how to proceed to prepare the pieces for assembly.

In the kit you will also find some optional pre-cut artwork printed on matt photo paper. This can be used to brand your finished product.

WHAT YOU WILL NEED

We have specifically designed this product so that it is easy to assemble with only a few basic tools. You will need the following:

- a screwdriver
- a sharp hobby knife
- some glue
- a few toothpicks
- a few earbuds can be handy
- a paintbrush or sponge roller and paint or a rattle can or two with spray paint.

There are really two schools of thought as to the right glue to use. Some people prefer a rapid setting glue like most gel super glues, while others prefer a slower setting glue like ordinary cold wood glue (pva glue). Sometimes more than one part must be assembled almost simultaneously and then a forgiving glue makes life a bit easier. Gluing the 26 steps into place may take a bit of time when you do it for the first time and a slower setting glue may just make life so much easier. Other times you may want a quick fix and then the rapid setting glue is the obvious choice. Our advice is to see what works best for you, there are no right or wrong, both types will produce a sturdy structure.

You will only need a small amount of glue and remember to look for the surfaces that will be in contact in the end and do not only apply glue to the lugs and sleeves. The latter restrict movement in one plane, but the glue fix it in the perpendicular plane. Using a toothpick is a handy way to apply glue and an earbud can be used to dab away any excess of glue (especially if you use wood glue).

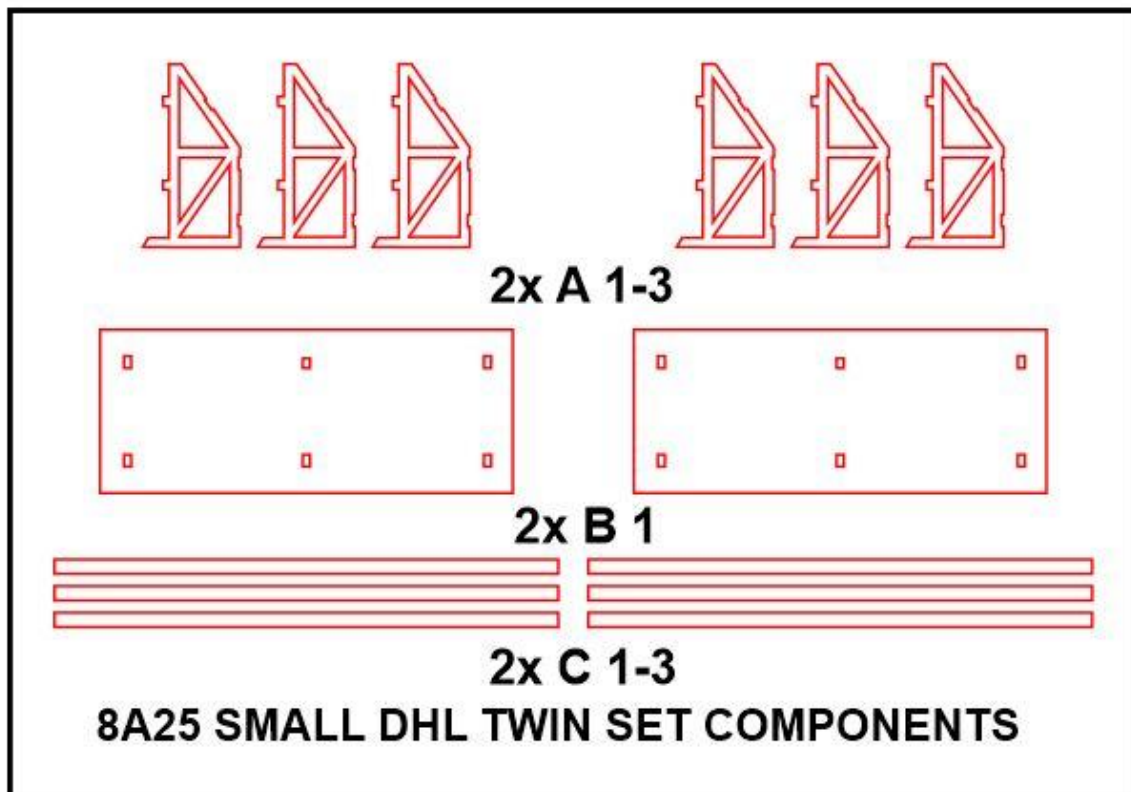
If parts must be at a right angle, you can use any object to assist you in obtaining a square finished product in the end.

FAMILIARIZE YOURSELF

Have a look at the photo of the finished product.



Now have a look at the next diagram where all the laser cut parts are shown and numbered from **A** to **C** and try to identify which is which and where they fit in.



You will notice that this fairly simple structure is made up of an advertising board (**B 1**) and three legs (**A 1-3**). The legs are braced with three horizontal members (**C 1-3**). You have received two sets of these in order to be able to assemble two signs. You have also received the artwork for two signs.

PREPARING THE CUT PIECES

Firstly, remove all the laser cut parts from the sheet. The sheet can be discarded. Clean the edges of the parts if there are any tiny bits where the parts were fixed to the sheets. This can be done with your knife or even your thumb nail.

We recommend that you start by sanding your finished product with a very light sandpaper to ensure a smooth finish for the end product.

WORD OF ADVICE

We would strongly advise you to do a quick dry assembly before you start gluing the laser cut parts together. Lay out all the parts on your work surface and make sure that the parts are not upside down or mirrored. In most instances it will make no difference, but in others it may be crucial to ensure a perfect product in the end.

Our laser cut parts are specifically cut to very fine tolerances to ensure a snug fit and therefore it is wise to check all fits before gluing parts together. You may need to trim a lug here and there to make assembly easier.

PAINTING YOUR PRODUCT

We would strongly advise you to finish the product with paint or wood stain to make them as appealing as possible. The parts should be primed (2 coats) and painted before final assembly. Spray paint can also be used to get a very smooth finish. Oil or water-based paint can be used and specialised paints like chalk paint can be used to give unique finishes.

Generally, it is highly advisable to paint/spray before gluing. You may not be able to get to the inside of the structure after it is glued together. Covering all the parts that must not be painted or sprayed with the same colour can be a tedious process. Pre-painting will avoid this process.

Please ensure that no paint clog a sleeve where a lug must fit in later. The tolerances are often so tight that too thick a layer of paint may cause problems. It is our experiences that a small foam roller instead of a brush, will produce a better finish and far less clogging of sleeves.

Applying a base or undercoat normally makes life easier afterwards. Two coats of primer are advisable because the MDF absorbs a lot of paint. Using a single colour for the undercoat of all parts works quite well from personal experience. You can choose the paint of your preference, whether it is oil or water based. Cleaning brushes and rollers are just so much easier if you use a water base paint. A chalk paste can give a unique finish to walls and give a weathered look if so desired. If you prefer to protect the paint work of your structure you can always apply a clear spray coat.

LET'S GET STARTED WITH THE ASSEMBLY

Place the advertising board (**B 1**) face down on your working surface. Glue the nubs of one of the three legs (**A 1**) into a set of corresponding slots. Now proceed to glue the other two legs (**A 2-3**) to the advertising board in the same way. Apply some gentle pressure in order to ensure a snug fit. Now you can glue the three horizontal bracing members (**C 1-3**) to the three legs. You will see that there are indentations in the back of the legs where the braces must go. Ensure that the protruding ends are of equal length. Allow the glue to set properly before you fix the artwork.

Both of the signs are assembled in the same manner.

FINISHING & BRANDING

We leave the finishing to your imagination and your taste. Do whatever you think will transform this into a structure that will compliment your race track diorama. We recommend that you protect the artwork with a clear spray to ensure a long life.

CONCLUSION

We sincerely hoped you have enjoyed this assembly and finishing. Please remember to give us some feedback and either send or post some pictures of this product on your track.